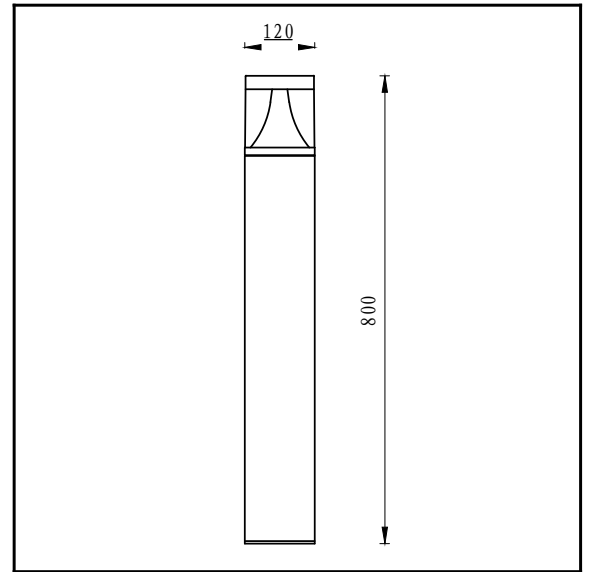




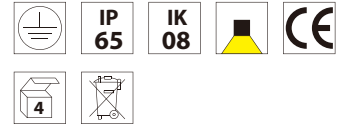
The photograph may not match the reference exactly.
Please read the product description to identify the finish.



C-162S

TECHNICAL CHARACTERISTICS

Type:	Bollard lighting
IP Protection degrees:	IP65
IK Protection degrees:	IK08
Light source 1:	132x LED SMD 15W Warm White - 4000K 800 lm ^(N) CRI 75
Total power consumption (W):	15.2
Voltage / Frequency:	100-240V/50-60Hz
Warranty (Years):	3
Units per box:	4
Net Weight (Kg):	3.8



MATERIALS / FINISHES

Structure material: High purity aluminium	aiffuser material: PC
Structure finish: Black	Diffuser finish: Matt

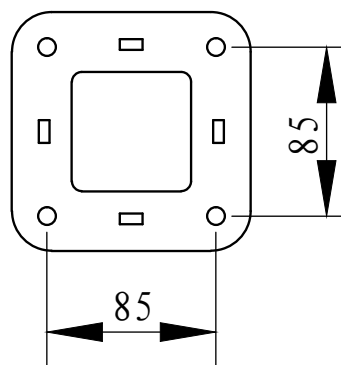
GEAR

Multi-voltage electronic gear included (110-240 V / 50-60 Hz)

Transparent PC



High purity aluminum



Installation template

C-162S